



LIFTING CAPACITY

□ 800 Kg [B]



BOOM HEIGHT

□ 2750 mm



ENGINE POWER

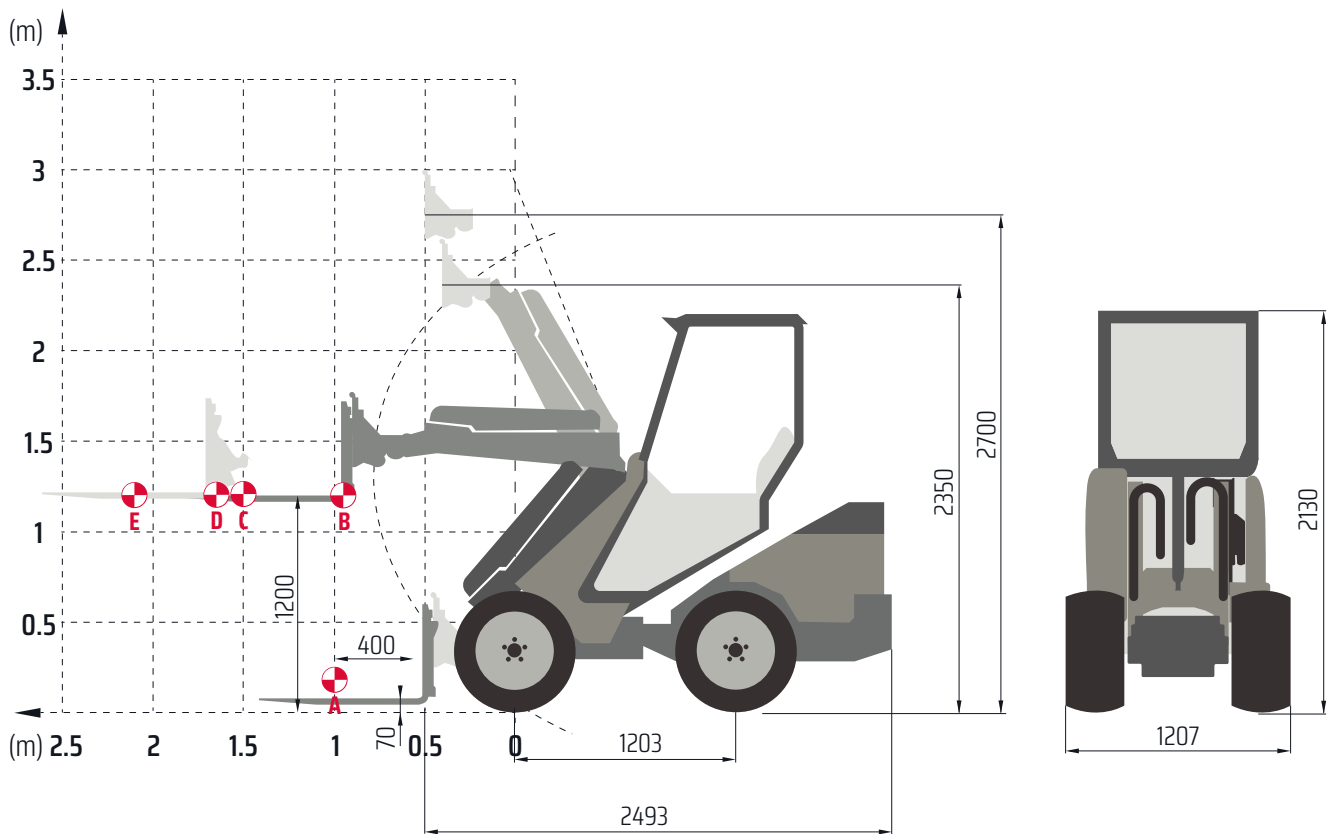
□ 25 Hp



HYDRAULIC SYSTEM

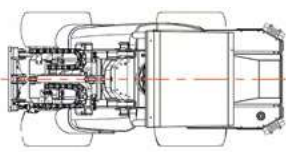
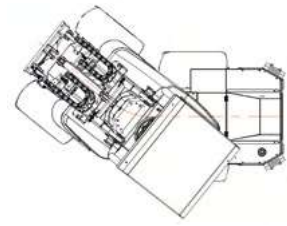
□ 44 l/min

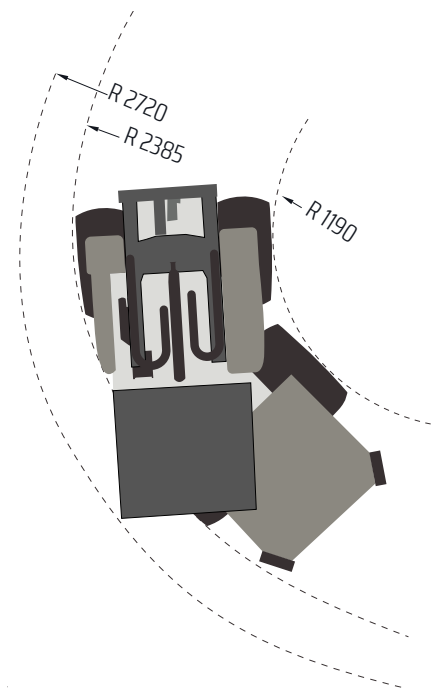




TIPPING LOAD

- A** Transport position
- B** Boom horizontal (without pallet fork)
- C** Boom horizontal
- D** Boom horizontal + extension
- E** Boom horizontal + extension

				
	BALLAST (100 kg)	NO BALLAST	BALLAST (100 kg)	NO BALLAST
A	800Kg	560 Kg	790 Kg	520 Kg
B	1025 Kg	800 Kg	1000 Kg	780 Kg
C	620 Kg	380 Kg	590 Kg	350 Kg
D	500 Kg	320 Kg	460 Kg	320 Kg
E	388 Kg	305 Kg	370 Kg	180 Kg



STANDARD SET-UP

Engine	KUBOTA
Power Hp / Kw	25/18.5
Hydrostatic transmission - 4WD	Standard
Electric differential lock	Standard
Water cooling	Standard
Hydraulic system l/min	44
Joystick	11- function
LED headlights	Standard
12 V power outlet + Front auxiliary electrical outlet 165W	Standard
Heated comfort seat	Standard
"UNIVERSAL" coupling plate	Standard
ROPS+FOPS protection	Standard
Telescopic boom + Self Leveling + Electrical Floating system	Standard
Tractor wheels	26x12.00-12
Weight Kg	1230

CODE WITH STANDARD SET-UP

PRICE

G 2 5 2 0 0 0 0 1 M 1 _ L P

MORE DATA

Average sound power level (dB/LwA)	99
Guaranteed sound power level (dB/LwA)	101
Speed (km/h)	12
Kubota D1105 Engine oil tank capacity (L)	5,1
Hydraulic oil tank capacity (L)	40

WHEELS



SKID
23x8.50-12
23x10.50-12
26x12.00-12



ALL TRAC
8PR
300/60X12



TRACTOR
23x8.50-12
23x10.50-12
26x12.00-12



TURF
23x8.50-12
23x10.50-12
24x13.00-12
26x12.00-12

OPTIONS

PRICE

4	5	1	2	0	3	9	3	Counterweights 100Kg	Standard
4	5	1	2	0	1	3	3	Trailer coupling	Standard
4	5	1	2	0	3	9	6	Difference from standard to garden wheels 24x13.00-12	
4	5	1	2	0	2	7	3	All trac 300/60	Standard